

63 A

1 000 V
U MAXI

DECONTACTOR™ DSN6



IP66
IP67
IP69



6-16 mm² (1)
10-25 mm² (2)



GRP



IK09



-40 °C
+60 °C



AC-22
AC-23



60309-1
60309-4
60947-3



4 AUX. (3)

(1) Flexible wiring (min.-max.).
(2) Stranded wiring (min.-max.).
(3) Flexible wiring : 1-2,5 mm²,
stranded : 1,5-4 mm²



**Other cable sections:
please contact us**



**For a black colour
housing replace the second
reference character with 5.**

LOAD-BREAK CAPABILITY OF THE DECONTACTOR™

Comply with IEC/EN 60309-1 and IEC/EN 60309-4 standards	(63 A/690 V) or (45 A/1000 V)
Load-break capability according to IEC/EN 60947-3/AC-22	40 A/690 V
Load-break capability according to IEC/EN 60947-3/AC-23	63 A/400 V
Short-circuit current I _{cc}	10 kA
Power kW AC-22/AC-23	30 kW

SOCKET-OUTLET

female
DSN6











INLET male
DSN6



**Dual-voltage
socket-outlet
(see p. 11)**

20-24 V AC	2P	616408A	616808A
190-230 V AC	3P+E	6164033	6168033
220-250 V AC	1P+N+E	6164015	6168015
380-440 V AC	3P+E	6164013	6168013
220-250 V AC 380-440 V AC	3P+N+E	6164017	6168017
660-690 V	3P+E	6164193	6168193
380-400 V 660-690 V	3P+N+E	6164197	6168197
Auxiliaries 16 A/400 V AC	+ 2 contacts	Ref. + 972	Ref. + 972
Auxiliaries 16 A/400 V AC	+ 4 contacts	Ref. + 264	Ref. + 264

► Other currents, voltages, frequencies and contact configurations are available (see page 14).

OPTIONS	Reference
LOCKING PIN FOR 2 PADLOCKS Ø 4 TO 8 mm (PADLOCK NOT SUPPLIED)	
	Socket-outlet ref. +843
SAFETY HASP FOR UP TO 6 PADLOCKS	
	613A541
LARGER RELEASE BUTTON	
	Ref. socket +453
INLET CAP IP66/IP67	
	616A426
IN-LINE CONNECTIONS (A PAIR OF FINGER DRAW PLATES TO AID CLOSING)	
	616A346
IP40 SELF RETURNING LID (MANUAL CLOSING)	
	Socket-outlet ref.+R
IP55 METAL LOCKABLE SELF-CLOSING LID FOR INLET	
	616A226
SELF-EJECTION	
	See page 192






PRODUCTS AVAILABLE IN BLACK ●








The black dot means these products are also available in black color. Replace the second character of the product reference with 5

PRODUCT WITH ANTI-BACTERIAL TREATMENT ●






NEW

This sticker means that the product is also available with an antibacterial treatment. Add the suffix AG to the reference. For more information on anti-bacterial treated handles please consult us.

SLEEVE	Reference
POLY SLEEVE ●	
	30° 513M3
	70° 513M7
METAL SLEEVE	
	0° (Straight) 593M0
	30° 593M3
	70° 593M7

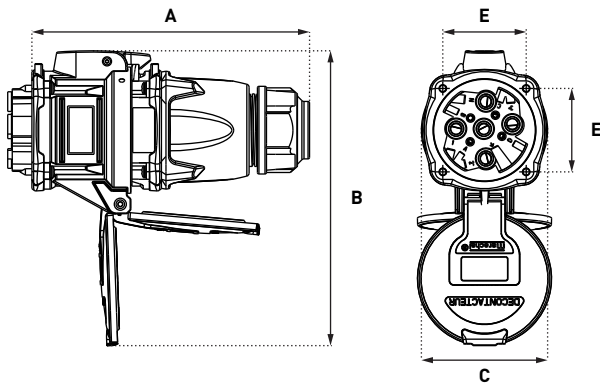
BOXES *	Input	Reference
POLY BOX ●		
	30° M25	513B3M25
METAL BOX (+ EARTHING WIRE)		
	20° M20	593B2M20
	20° M25	593B2M25
	20° M32	593B2M32
POLY BOX + POLY SLEEVE (BLACK VERSION SEE ACCESSORIES DXN6 PAGE 259)		
	70° Without hole	513C7000
	70° Hole Ø 25	513C7M25
	70° Hole Ø 32	513C7M32
Earth bar ref.: 51AA089	70° Hole Ø 40	513C7M40
METAL BOX (+ EARTHING WIRE) + POLY SLEEVE		
	30° M20	513C3M20
	30° M25	513C3M25
	30° M32	513C3M32
	30° M40	513C3M40
METAL BOX (+ EARTHING WIRE) + METAL SLEEVE		
	30° M20	593C3M20
	30° M25	593C3M25
	30° M32	593C3M32
	30° M40	593C3M40
	0° (Straight) M20	593C0M20
	0° (Straight) M25	593C0M25
	0° (Straight) M32	593C0M32
	0° (Straight) M40	593C0M40
	70° M20	593C7M20
	70° M25	593C7M25
	70° M32	593C7M32
	70° M40	593C7M40

* Cable glands are not delivered with the boxes.

HANDLE	Input/ Cable outer Ø	Reference	Self-ejection
POLY HANDLE WITH GLAND ●●			
	10-30 mm	513P0D30	/
POLY HANDLE + POLY CABLE GLAND ●●			
	5-12 mm	513P020P	Ref. +443
	9-18 mm	513P025P	Ref. +443
	14-25 mm	513P032P	Ref. +443
	18-32 mm	513P040P	Ref. +443
METAL HANDLE WITH METAL GLAND (+ EARTHING WIRE)			
	7-13 mm	593P020M	/
	8-16 mm	593P025M	/
	16-24 mm	593P032M	/
	22-32 mm	593P040M	/
POLY HANDLE (WITHOUT CABLE GLAND) ●			
	M20	513P0M20	Ref. +443
	M25	513P0M25	Ref. +443
	M32	513P0M32	Ref. +443
	M40	513P0M40	Ref. +443
METAL HANDLE METRIC THREAD ENTRY (WITHOUT CABLE GLAND)			
	M20	593P0M20	/
	M25	593P0M25	/
	M32	593P0M32	/
	M40	593P0M40	/

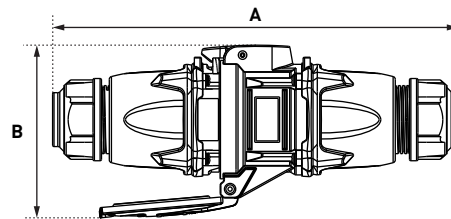
DRAWINGS AND DIMENSIONS

PLUG ON SOCKET-OUTLET



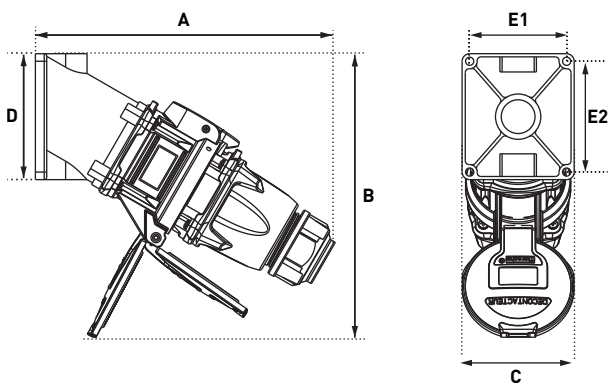
A	B	C	E
184	195	84	55

COUPLER



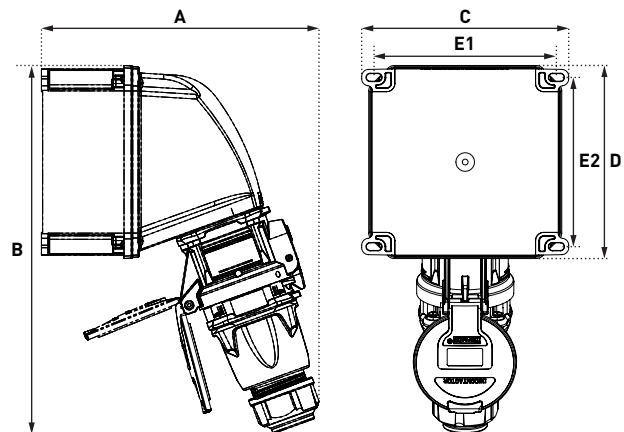
A	B
286	122

PLUG ON 30° WALL MOUNTED SOCKET OUTLET



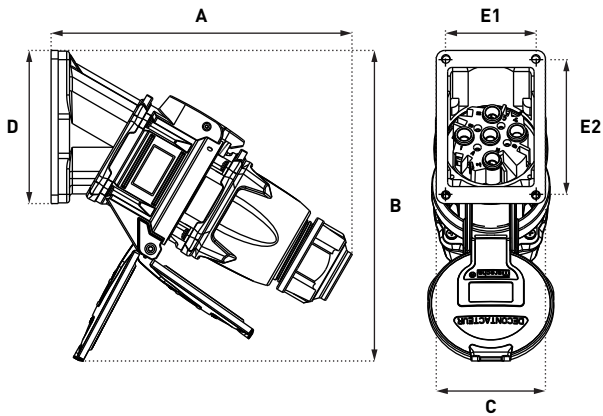
A	B	C	D	E1	E2
238	225	89	100	77	88

PLUG ON 70° WALL-MOUNTED SOCKET-OUTLET

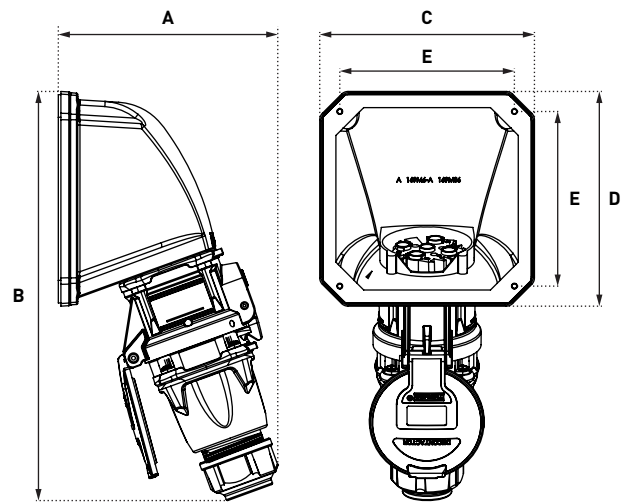


A	B	C	D	E1	E2
239	317	178	166	157	146

PLUG ON 30° INCLINED SOCKET-OUTLET



PLUG ON 70° INCLINED SOCKET-OUTLET



A	B	C	D	E1	E2
212	219	77	108	64	95

A	B	C	D	E
170	317	166	166	135

